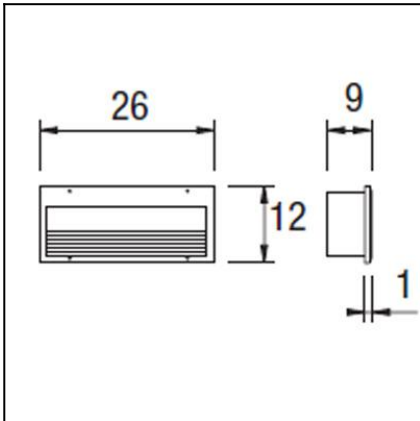


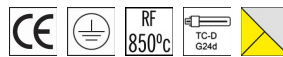


The photograph may not match the reference exactly. Please read the product description to identify the finish.



TECHNICAL CHARACTERISTICS

Type:	WALL RECESSED
IP Protection degrees:	IP44
IK Protection degrees:	IK06
Light source 1:	1 x G24d3 26W
Total power consumption (W):	33.4
Voltage / Frequency:	230V/50Hz
Warranty (Years):	2
Units per box:	12
Net Weight (Kg):	1.41
EAN:	8435111044629

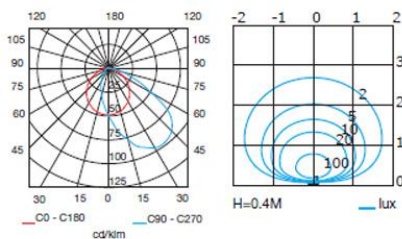


MATERIALS / FINISHES

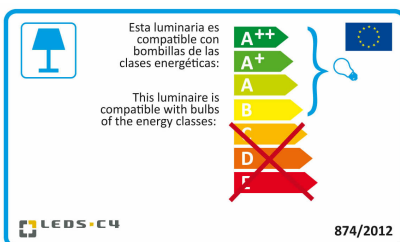
Structure material:	Injected aluminium	Diffuser material:	Glass
Structure finish:	Grey	Diffuser finish:	Matt

GEAR

Gear included: Yes, Magnetic



[Download photometric file .ldt / .ies](#)



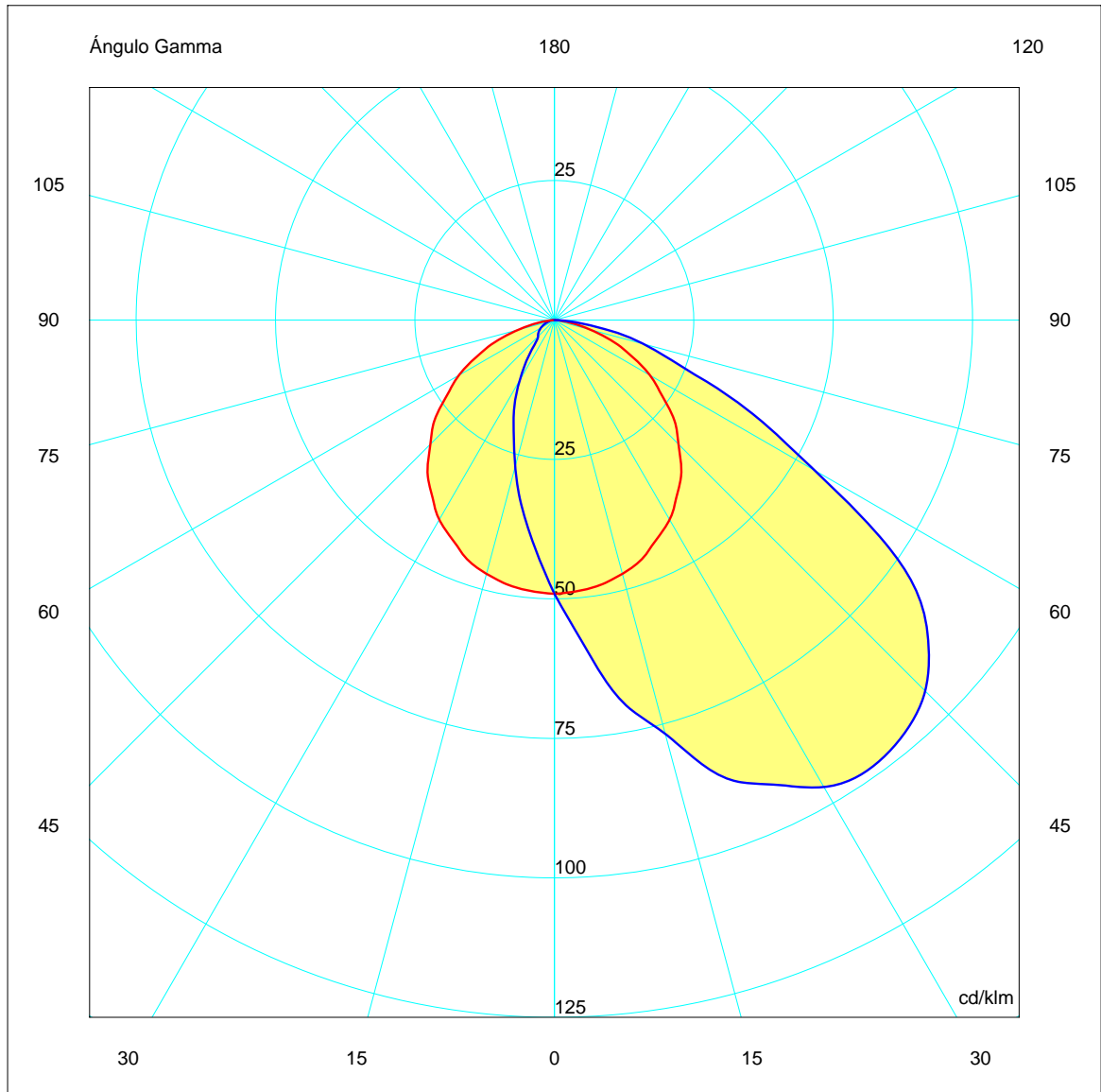
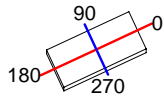
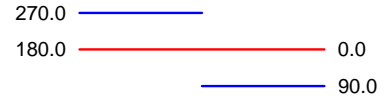
[Click on image to download energy label](#)

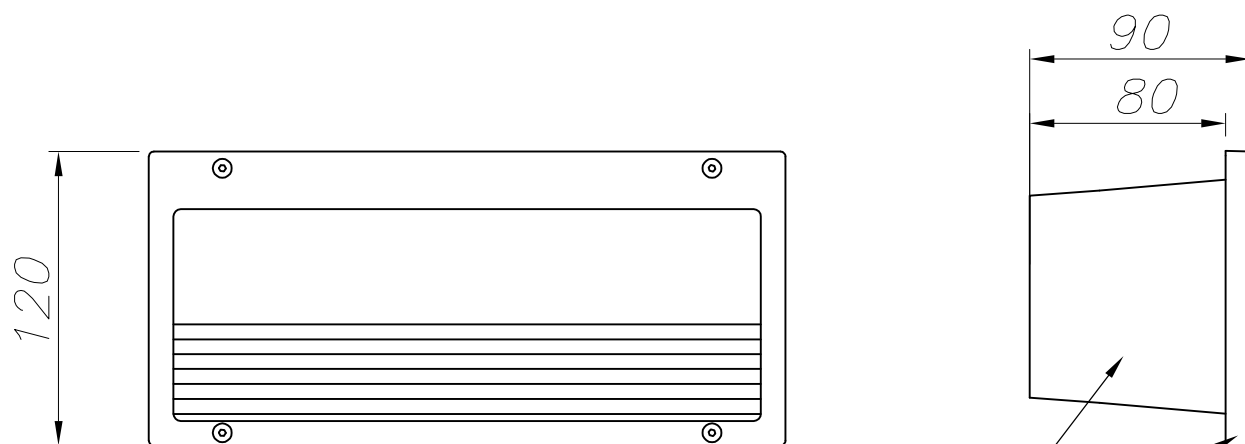
LEDS-c4 reserves the right to make the necessary technical changes they deem adequate, in order to improve the features of the product.
Please consult the sales team to clarify any doubt.

Luminaria		Ensayo		Lámpara	
Código	05-9179-34-B8	Código	05-9179-34-B8	Código	DULUX D 26W840
Nombre	Aplicador indir. 26W TC-D G24d3	Nombre	Aplicador indir. 26W TC-D G24d3	Número	1
Familia	- LEDS-C4	Fecha	11-11-2008	Posición	Universal
Eficiencia	16.07%	Sist. de Coorden.	C-G	Flujo Total	1800.00 lm
Valor Máximo	98.32 cd/klm	Posición	C=90.00 G=35.00	Sim. en los planos	270-90

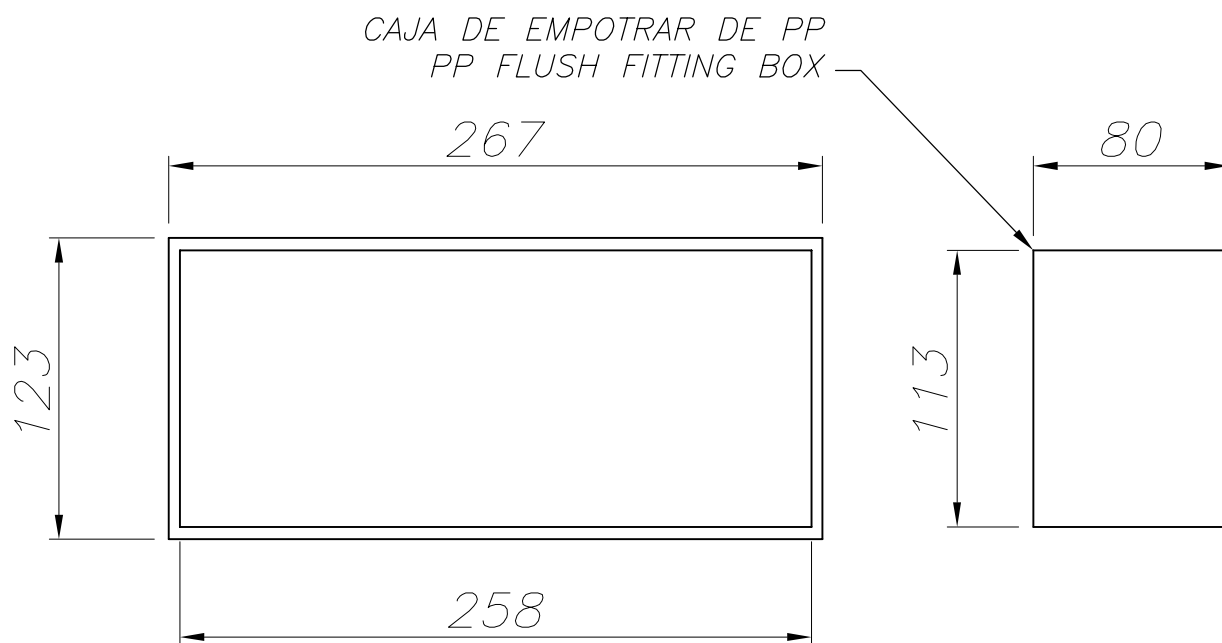
120mm x 265mm

Semiplanos C





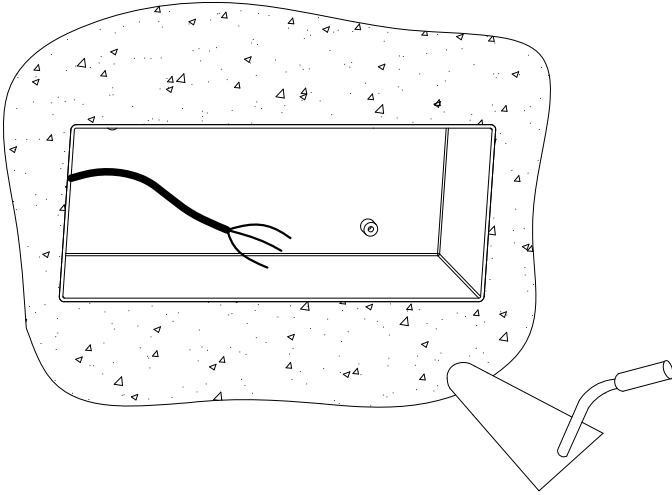
ALUMINIO INYECTADO
INJECTED ALUMINUM



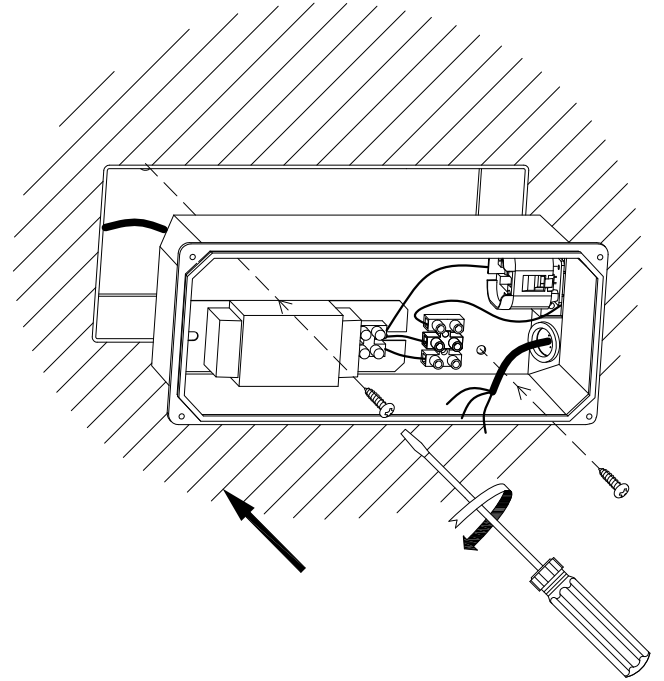
CAJA DE EMPOTRAR DE PP
PP FLUSH FITTING BOX

CAJA DE EMPOTRAR
FLUSH FITTING BOX

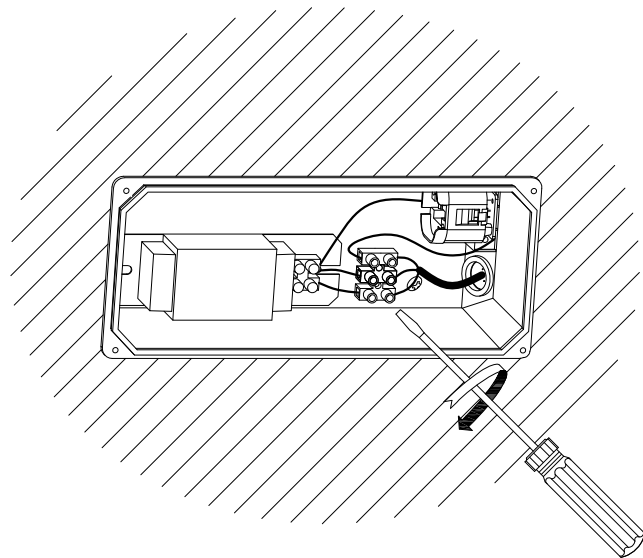
①



②



③



④

