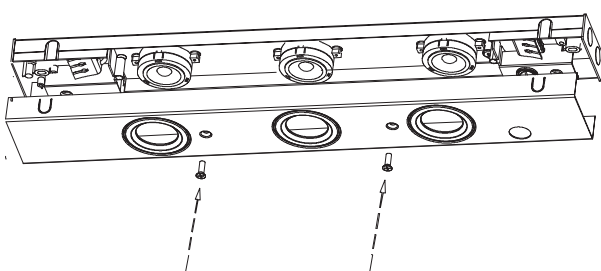
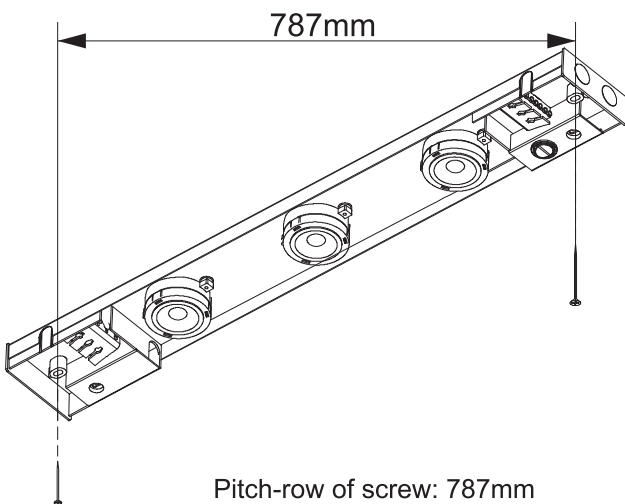
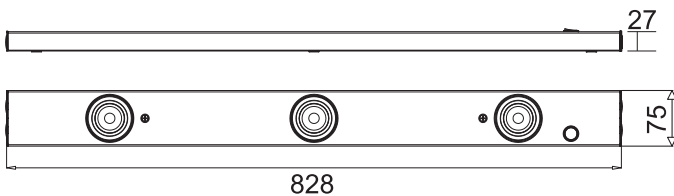




INSTALLATION



TECHNICAL DATA

Voltage	220~240V
Wattage	3x4W LED
Chip	COB LED
Lumen	3x250lm
Beam Angle	40°
CRI	Ra ≥ 95
Colour Temperature	2000K-3000K
Driver	Included, 18-40V/350mA
Power Factor	PF ≥ 0.9
Dimmable	10%~100%
IP Rating	IP44
Life Span	40,000 Hours
Guarantee	5 years

DIMENSION

Length & width	828*75mm
Height	27mm
Pitch-row of screw	787mm

COMPONENT

Material	Die-cast aluminum
Colour	Matt White